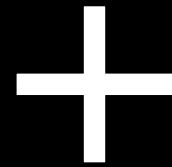
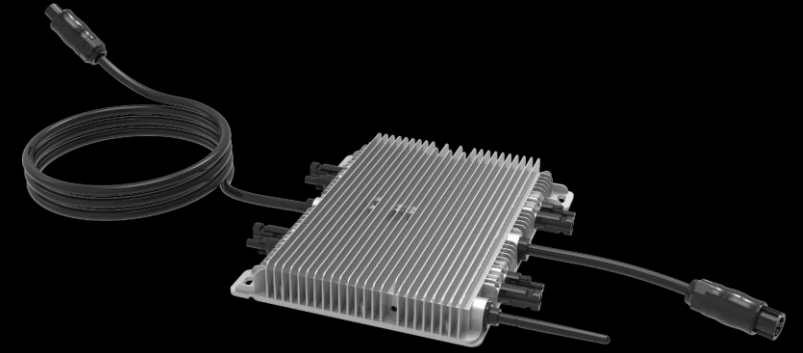
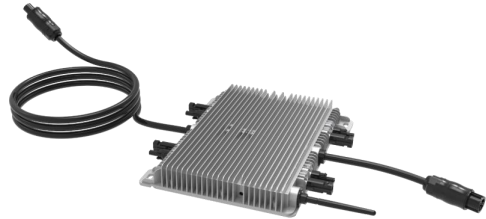


Micro Inverter Series + WiFi meter Installation and configuration guide



Main components



MISW:

- 4 PV module inputs
- 4 independent MPPT
- AC outlet with pre-assembled connecting elements to facilitate installation
- PV monitoring
- Connects directly to the internet

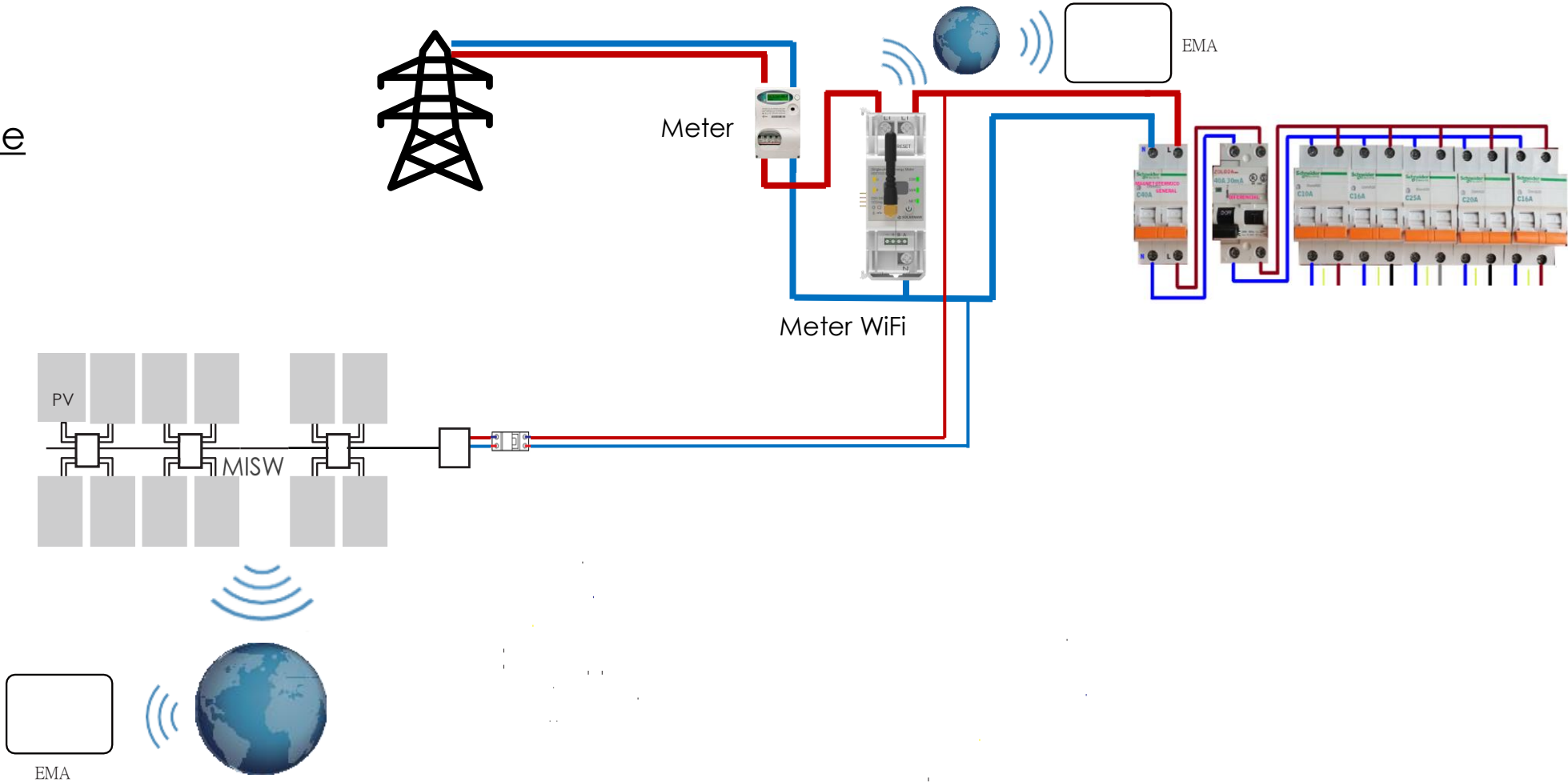


Meter WIFI:

- Reading of energy consumed from the grid
- Connects directly to the internet

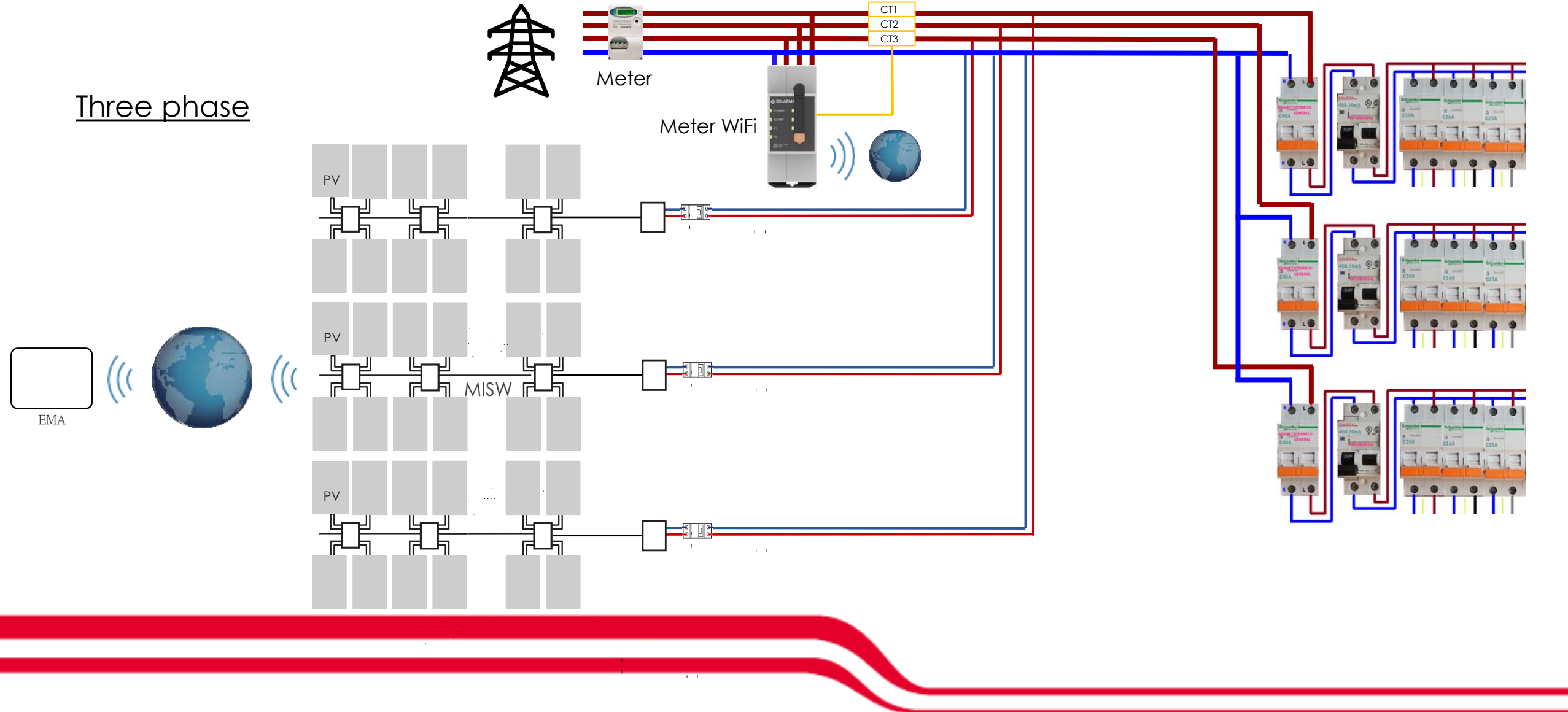
Installation diagram

Single phase



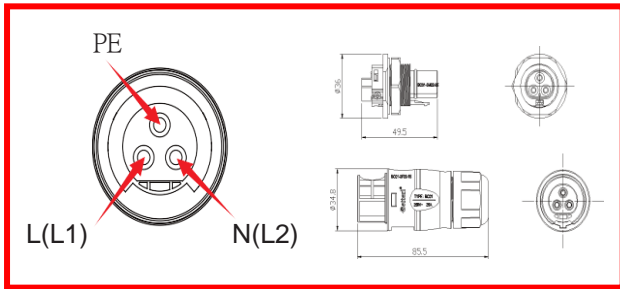
Installation diagram

Three phase

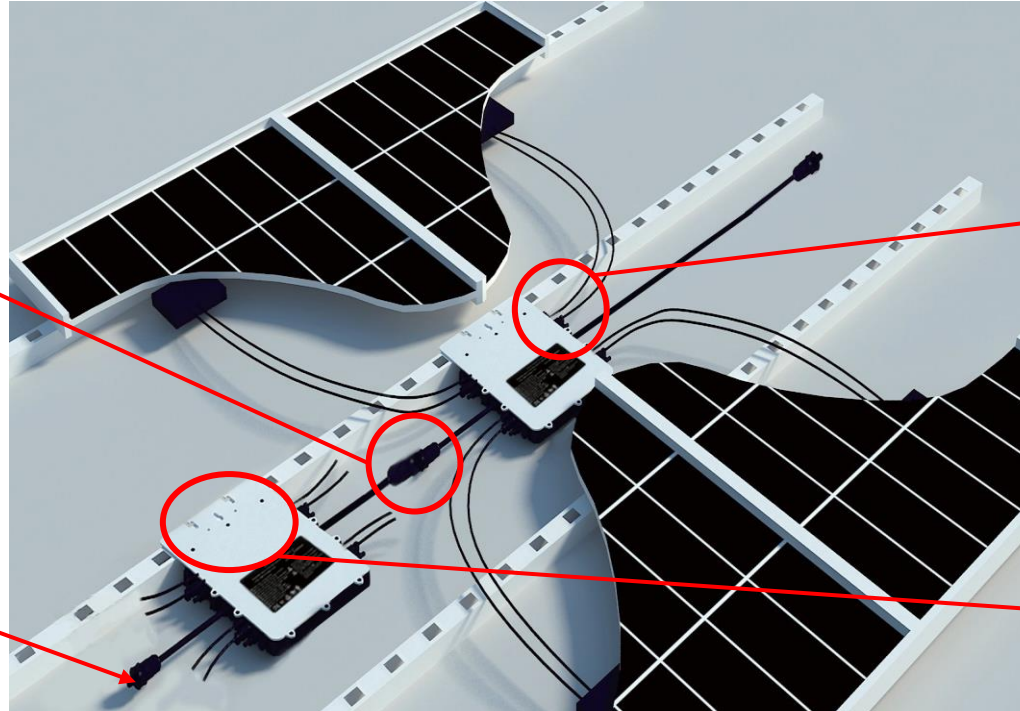
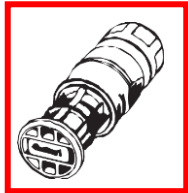


MISW installation

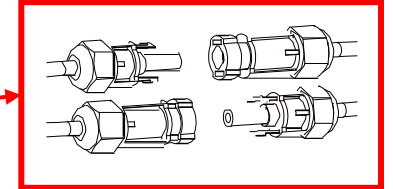
Male-female connection
between microinverters



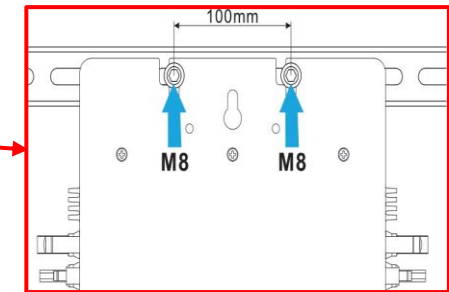
Install
protective cap
at the end of
the branch



Panel-microinverter connection



Fixing the microinverters to the
frame or the structure of the
photovoltaic module



Important:

- Max. 4 microinverters (**3 for MISW 2000**) per AC branch
- Leave the serial number of the MISW visible or, if this is not possible, take a photograph. It will be necessary later.
- When plugging in the DC cables, the microinverter should immediately flash one red light quickly and three green lights more slowly. This will demonstrate that the microinverter is working properly.

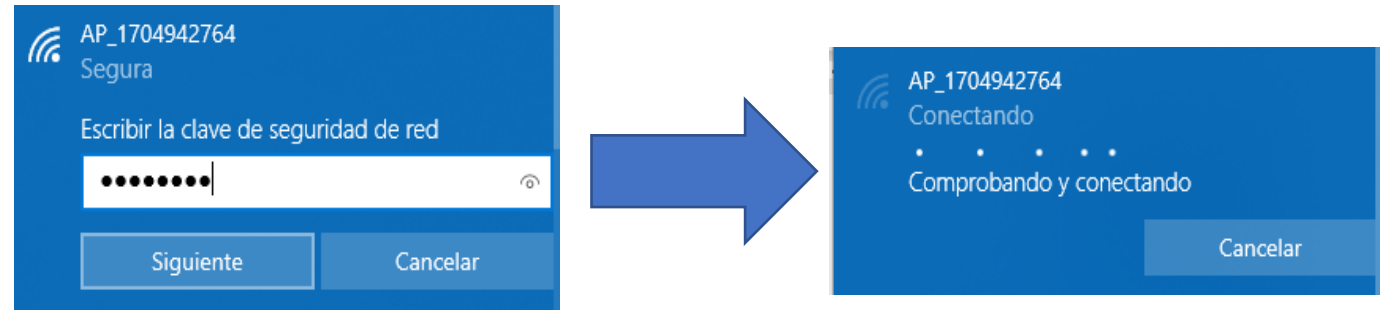
Cloud connection

This procedure applies for both MISW and Meter WiFi

Step 1: Connect to the INVERTER wifi

With an electronic device that has Wi-Fi (PC, Tablet, Smartphone...) the connection with the MIC's Wi-Fi is established:

- Open the wireless network connection.
- Click on see available wireless networks.
- Select the one corresponding to the device with which you want to connect.



- The network name consists of AP and the serial number of the product.
- Input the password shown on the logger and click Connect.
- The default password for MICs is 12345678.

Cloud connection

Step 2: Connection with the logger

Once connected to WiFi:

- Open a web browser
- Type the following: 10.10.100.254
- Fill in username and password, both of which are admin as default
- In the Status page, you can view general information of the logger.

The screenshot shows a web browser window at the address 10.10.100.254/index_cn.html. The page is in Chinese. A modal dialog box titled 'Iniciar sesión' (Login) is overlaid on the page. The dialog contains the following text: 'http://10.10.100.254 necesita un nombre de usuario y una contraseña. Tu conexión con este sitio web no es privada' (http://10.10.100.254 needs a username and a password. Your connection to this website is not private). Below this, there are input fields for 'Nombre de usuario' (Username) with the value 'admin' and 'Contraseña' (Password) with masked characters '.....'. At the bottom of the dialog are two buttons: 'Cancelar' (Cancel) and 'Iniciar sesión' (Login). A large blue arrow points from the 'Iniciar sesión' button in the dialog to the 'Iniciar sesión' button in the background page. The background page shows a navigation menu with 'Status' selected. The main content area displays 'Inverter information' with the following data: Inverter serial number: 2006284117, Firmware version (main): ---, Firmware version (slave): ---, Inverter model: ---, Rated power: --- W, Current power: --- W, Yield today: 6552.10 kWh, Total yield: 19.7 kWh, Alerts: ---, Last updated: 1. There are also sections for '+ Device information' and '+ Remote server information'. A 'Help' sidebar is visible on the right, containing text about using the device as a wireless access point and the status of the remote server.

Web Ver:1.0.24

Cloud connection

Step 2: Connection with the logger

Follow the setup wizard to start quick setting, click Wizard to start. Select the wireless network you need to connect, then click Next.

Status

Wizard

Quick Set

Advanced

Upgrade

Restart

Reset

Please select your current wireless network:

Site Survey

SSID	BSSID	RSSI	Channel
<input type="radio"/> AP_1704942764	9C:D8:63:71:9C:50	100	12
<input type="radio"/> Solar-WiFi19B00055	98:D8:63:8B:55:CC	100	1
<input type="radio"/> vodafone7A38	74:DA:88:B:1F:5E	45	1
<input type="radio"/> TP-LINK_8D10	7C:8B:CA:B9:8D:10	37	11
<input type="radio"/> RMNTRNS	90:3A:72:32:C5:58	30	8
<input type="radio"/> RMNTRNS	34:FA:9F:2C:CA:E8	25	3
<input type="radio"/> DIRECT-35-HP PageWide MFP P57750	E6:E7:49:26:F6:35	23	6
<input type="radio"/> TURBO-E	F0:E4:A2:3E:53:9A	16	1
<input type="radio"/> TURBO	D8:47:32:3D:83:6	6	11

★Note: When RSSI of the selected WiFi network is lower than 15%, the connection may be unstable, please select other available network or shorten the distance between the device and router.

Refresh

Add wireless network manually:

Network name (SSID)
(Note: case sensitive)

Encryption method **Disable** ▼

Next

1 2 3 4

Help

The setup wizard will assist you to complete the device setting within one minute.

Cloud connection

Step 2: Connection with the logger

- Enter the password for the selected network, select Enable to obtain an IP address automatically, then click Next.
- Enhance security settings of the WiFi logger by selecting any options as listed, then click Next

Status		
Wizard	Please fill in the following information:	Help
Quick Set		Most systems support the function of DHCP to obtain IP address automatically. Please select disable and add it manually if your router does not support such function.
Advanced		
Upgrade		
Restart		
Reset		

Password (8-64 bytes)
(Note: case sensitive) Show Password

Obtain an IP address automatically

IP address

Subnet mask

Gateway address

DNS server address

1 2 3 4

Status		
Wizard	Enhance Security	Help
Quick Set	You can enhance your system security by choosing the following methods	Change the encryption mode for AP If you set password for the AP network, you will need to enter the password to connect to AP.
Advanced	<input type="checkbox"/> Hide AP	Change the user name and password for Web server If you change the username and password for the web server, you will need to enter the new username and password to get access to the setting page.
Upgrade	<input type="checkbox"/> Change the encryption mode for AP	
Restart	Encryption mode <input type="button" value="WPA2-PSK"/>	
Reset	<input type="checkbox"/> Change the user name and password for Web server	
	Current user name <input type="text" value="admin"/>	
	New user name (Max.15 characters) <input type="text"/>	
	Re-enter user name <input type="text"/>	
	New password (Max.15 characters) <input type="text"/>	
	Re-enter password <input type="text"/>	
	<input type="button" value="Back"/> <input type="button" value="Next"/>	
	1 2 3 4	

Cloud connection

Step 2: Connection with the logger

- If setting is successful, the following page will display. Click OK to restart.
- If restart is successful, the following page will display. If this page does not display automatically, please refresh your browser

Status	<p>Setting complete!</p> <p>Click OK, the settings will take effect and the system will restart immediately.</p> <p>If you leave this interface without clicking OK, the settings will be ineffective.</p> <p>Back OK</p> <p>1 2 3 4</p>	Help
Wizard		After clicking OK, the system will restart immediately.
Quick Set		
Advanced		
Upgrade		
Restart		
Reset		

Status	<p>Setting complete! Please close this page manually!</p> <p>Please login our management portal to monitor and manage your PV system. (Please register an account if you do not have one.)</p> <p>To re-login the configuration interface, please make sure that your computer or smart phone and our device are in the same network segment, and enter the new IP address of the device to access the interface.</p>	Help
Wizard		★Note: The IP address of the device may have changed, please refer to User Manual to check the procedures to obtain the new IP address.
Quick Set		
Advanced		
Upgrade		
Restart		
Reset		

Cloud connection

Step 2: Connection with the logger

- Re- log in this setting page to Status page after the Web server restart, and check the network connection status of the logger.

Status		Help
Wizard	- Inverter information	<p>The device can be used as a wireless access point (AP mode) to facilitate users to configure the device, or it can also be used as a wireless information terminal (STA mode) to connect the remote server via wireless router.</p> <p>Status of remote server</p> <p>◆Not connected: Connection to server failed last time. If under such status, please check the issues as follows: (1) check the device information to see whether IP address is obtained or not; (2) check if the router is connected to internet or not; (3) check if a firewall is set on the router or not;</p> <p>◆Connected: Connection to server successful last time;</p> <p>◆Unknown: No connection to server.Please check again in 5 minutes.</p>
Quick Set	Inverter serial number 1911294008	
Advanced	Firmware version (main) ---	
Upgrade	Firmware version (slave) ---	
Restart	Inverter model ---	
Reset	Rated power --- W	
	Current power --- W	
	Yield today 6553.30 kWh	
	Total yield 1722.2 kWh	
	Alerts ---	
	Last updated 0	
	- Device information	
	Device serial number 1704942764	
	Firmware version LSW3_14_FFFF_1.0.40	
	Wireless AP mode Enable	
	SSID AP_1704942764	
	IP address 10.10.100.254	
	MAC address 9C:D8:63:71:9C:50	
	Wireless STA mode Enable	
	Router SSID TURBO-E	
	Signal Quality 1%	
	IP address 192.168.8.122	
	MAC address 98:D8:63:71:9C:50	
	- Remote server information	
	Remote server A Connected	
	Remote server B Not connected	



TURBO ENERGYTM
SOLAR INNOVATION