

Quick Installation Guide

# Battery Lithium Series Slim 48V 2.4 kWh + Inverter Voltronic

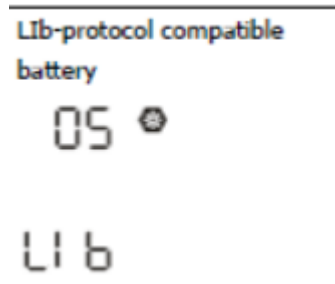


+



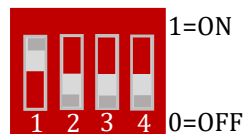
## 1. INVERTER VOLTRONIC VMIII configuration

In the Inverter menu it is necessary to change **parameter 5** to the LIB configuration.



## 2. Battery configuration

Each module has 4 DIP (Dual Inline Package) switches that will be configured differently depending on the number of batteries to be connected.



They are configured according to the binary code, starting with the master.

Address	Dial switch position				Explain
	#1	#2	#3	#4	
Dips	#1	#2	#3	#4	
1	ON	OFF	OFF	OFF	Pack1/Master
2	OFF	ON	OFF	OFF	Pack2
3	ON	ON	OFF	OFF	Pack3
4	OFF	OFF	ON	OFF	Pack4
5	ON	OFF	ON	OFF	Pack5
6	OFF	ON	ON	OFF	Pack6
7	ON	ON	ON	OFF	Pack7

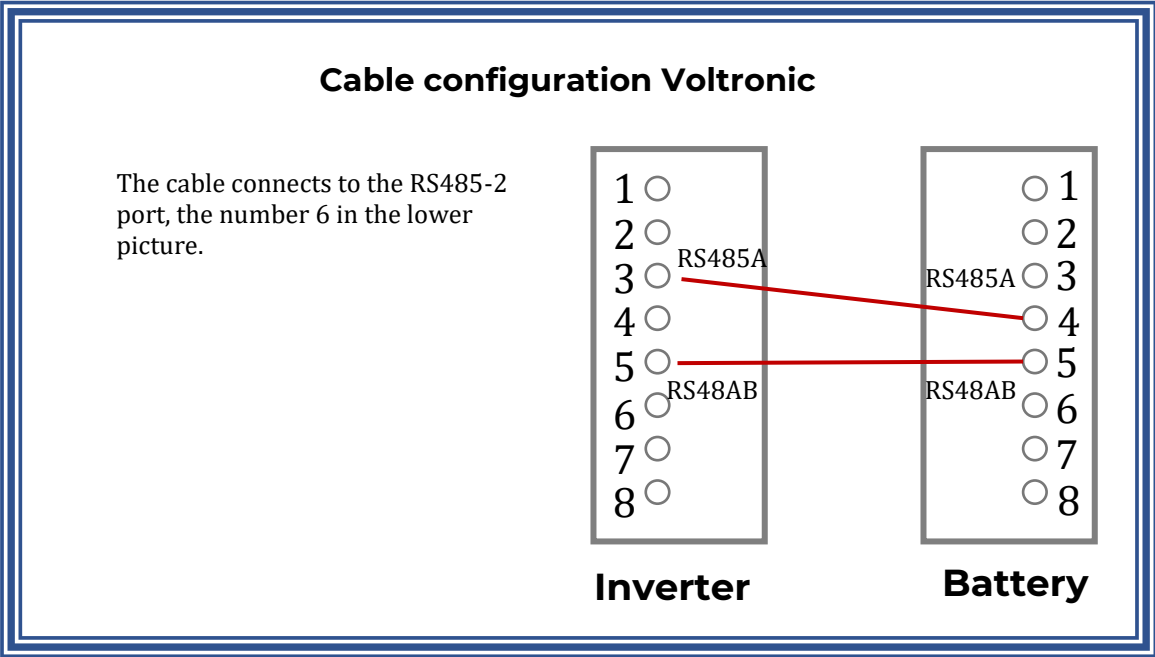
8	OFF	OFF	OFF	ON	Pack8
9	ON	OFF	OFF	ON	Pack9
10	OFF	ON	OFF	ON	Pack10
11	ON	ON	OFF	ON	Pack11
12	OFF	OFF	ON	ON	Pack12
13	ON	OFF	ON	ON	Pack13
14	OFF	ON	ON	ON	Pack14
15	ON	ON	ON	ON	Pack15

Any changes to the DIPs must be made with the battery turned off.  
When the battery works by voltage, it is not necessary to communicate the batteries with each other or select a certain DIP configuration.

### 3. WIRING Configuration (Voltronic VMIII)



The cable needed to make the connection is the **RJ45** between the battery group and the Inverter is a special cable that is composed of 8 smaller cables each with a different color configuration. Inside the battery case is the communication cable with the corresponding labeling.



Each power cord can carry a maximum of 120 A, so every two batteries a new cable would need to be connected to the inverter. However, if the inverter is 5 kW with a cable it would be sufficient to be within the limit of the maximum recommended current.



#### 4. Configuration Without Communications Voltronic MKS (Can also be used in le Voltronic VMIII).

To make a correctly configuration, just four parameters must be changed: 5, 26, 27 and 29. These changes are made from the inverter's own display.

PARÁMETRO	CONFIGURACIÓN
5	USE
26	55.5 V
27	55 V
29	47 V



**CAUTION: READ THE INSTRUCTION AND INSTALLATION MANUAL BEFORE USING THE PRODUCT**

©Copyright 2020. All rights reserved.

The specifications of the data sheet can be changed without prior notice.

